

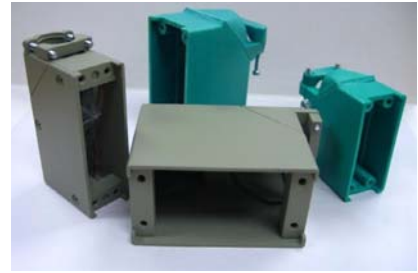
# 516 SERIES



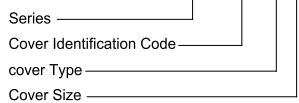
## Rack and Panel Connectors: Metal and Plastic Covers

### Features:

- Available in metal (die-cast zinc finished with grey enamel paint) or plastic (green polycarbonate) material
- Covers with top and side entry cable clamp
- Orientation of clamp on metal covers may be changed by the customer
- Versatile metal cover design permits assembly or disassembly after cabling is complete
- 516 covers also accommodates 519 series connectors
- Screws for securing cover to 516 or 519 series connectors supplied
- RoHS Compliant & UL Certified



Example Part Number: **516-230-556**



#### Series:

516

#### Cover Identification Code:

230

#### Cover Type <sup>1,2,3</sup>:

- |   |  |
|---|--|
| 1 | Plastic Cover, Side Entry Standard Clamp |
| 2 | Plastic Cover, Top Entry Standard Clamp  |
| 3 | Plastic Cover, Side Entry Large Clamp    |
| 4 | Plastic Cover, Top Entry Large Clamp     |
| 5 | Metal Cover, Side Entry                  |
| 6 | Metal Cover, Top Entry                   |
| 7 | Metal Cover, Large Clamp                 |

#### Description:

- |   |  |
|---|--|
| 1 | Plastic Cover, Side Entry Standard Clamp |
| 2 | Plastic Cover, Top Entry Standard Clamp  |
| 3 | Plastic Cover, Side Entry Large Clamp    |
| 4 | Plastic Cover, Top Entry Large Clamp     |
| 5 | Metal Cover, Side Entry                  |
| 6 | Metal Cover, Top Entry                   |
| 7 | Metal Cover, Large Clamp                 |

#### Cover Size:

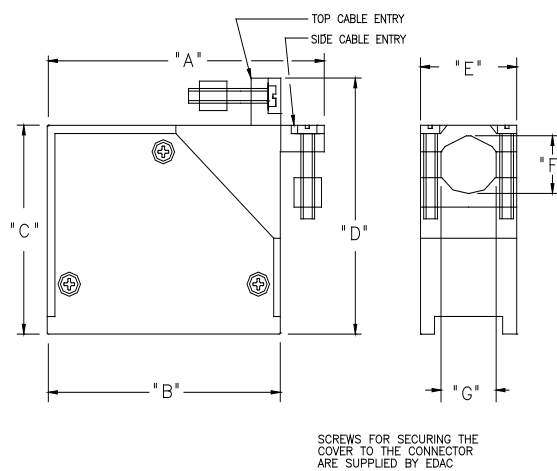
#### Fits Connector:

- |    |   |
|----|---|
| 12 | 516 Series 120 Pin                      |
| 20 | 516 Series 20 Pin and 519 Series 14 Pin |
| 38 | 516 Series 38 Pin and 519 Series 36 Pin |
| 56 | 516 Series 56 Pin                       |
| 90 | 516 Series 90 Pin                       |

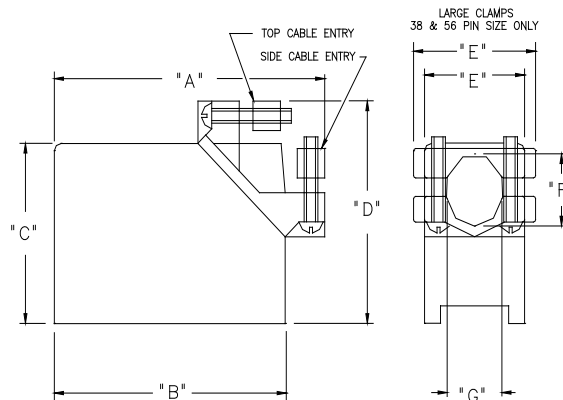
#### Ordering Code Notes

- 1) Plastic Covers with Large Clamps are only Available for 38 and 56 Pin Connectors.
- 2) Metal Covers with side entry may be converted to top entry by removing side plate and changing clamp orientation.
- 3) For 90 pin size top entry plastic cover must use P/N:516-230-890.

### METAL COVERS



### PLASTIC COVERS



COVER FOR CONNECTOR	COVER MATERIAL	CLAMP SIZE	"A" Inch (mm)	"B" Inch (mm)	"C" Inch (mm)	"D" Inch (mm)	"E" Inch (mm)	"F" Inch (mm)	"G" Inch (mm)
20 PIN	PLASTIC	STANDARD	1.605(40.77)	1.325(33.66)	.906(23.01)	1.190(30.23)	.715(18.16)	.450(11.43)	.450(11.43)
	METAL		1.539(39.09)						
38 PIN	PLASTIC	STANDARD	2.460(62.48)	2.010(51.05)	1.530(38.86)	1.985(50.42)	.910(23.11)	.650(16.51)	.500(12.70)
	PLASTIC		2.460(62.48)						
56 PIN	METAL	LARGE	2.206(56.03)	2.602(66.09)	1.566(39.78)	1.766(44.86)	.875(22.23)	.720(18.29)	.575(14.61)
	PLASTIC	STANDARD	3.052(77.52)						
90 PIN	PLASTIC	STANDARD	3.052(77.52)	2.718(69.04)	1.530(38.86)	1.985(50.42)	1.110(28.19)	.650(16.51)	.608(15.44)
	PLASTIC		LARGE						
120 PIN	METAL	STANDARD	3.124(79.35)	2.750(69.85)	1.775(45.09)	2.181(55.40)	1.250(31.75)	.800(20.32)	.800(20.32)
	PLASTIC		LARGE						
	PLASTIC	STANDARD	3.156(80.16)	2.750(69.85)	2.020(51.31)	2.426(61.62)	1.530(38.86)	.800(20.32)	.800(20.32)
	METAL		LARGE						