

B57 SERIES



Parallel Interface D-Sub Connector

Features:

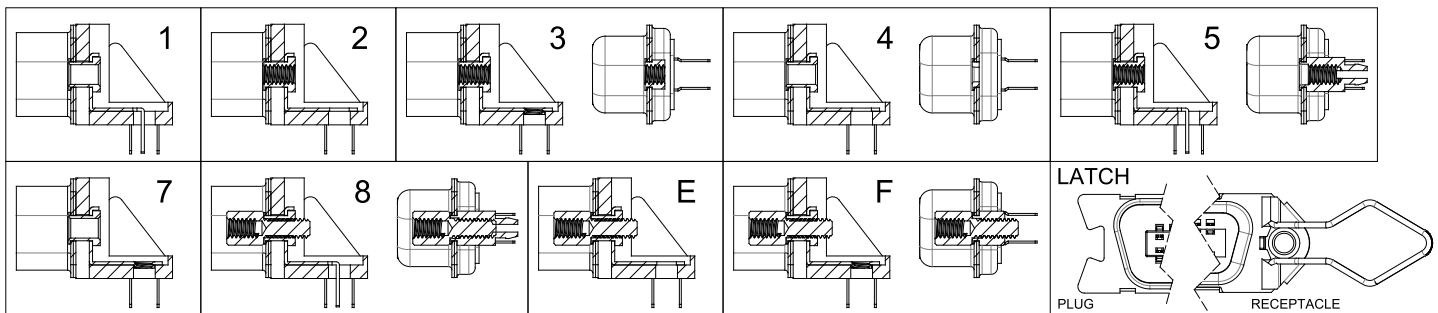
- Centronics style connector
- Can be used with 0.062" (1.57mm), 0.093" (2.36mm) or 0.125" (3.125mm) board thickness
- Available in 14, 24, 36 and 50 positions
- Variety of mounting options available
- Mateable with comparable series connectors
- Applications include data control systems, telecom interconnect and electronic instrumentation
- RoHS compliant & UL approved



Specifications:

Insulator Material	Glass filled thermoplastic UL 94V-0, Color: Blue
Contact Material	Copper Alloy
Contact Plating	Gold Plating on contact area and Tin Plating on tails with Nickel underplating all over
Shell Material	Steel - Nickel Plated
Current Rating	1 amp AC/DC per contact
Contact Resistance	30 milliohms maximum
Dielectric Withstanding Voltage	1000 V AC rms
Insulation Resistance	1000 Megaohms minimum at 500 V DC, operating voltage 250 V AC
Operating Temperature	-55°C to +105°C

Mounting Options: (see guide below for full details)



Ordering Code:

B57-024-522IF02

SERIES:
B57

CONNECTOR TYPE:

0 - RECEPTACLE .085" (2.16mm) PITCH
1 - PLUG .085" (2.16mm) PITCH

NO. OF CONTACTS:

14 - 14 CONTACTS
24 - 24 CONTACTS
36 - 36 CONTACTS
50 - 50 CONTACTS

CONTACT FINISH:

2 - GOLD FLASH PLATING
5 - 15µ" GOLD PLATING
6 - 30µ" GOLD PLATING

CONTACT TYPE:

20 - VERTICAL PRESS FIT (50 POS RECEPTACLE ONLY)
21 - VERTICAL PCB
22 - VERTICAL SOLDER CUP

60 - RIGHT ANGLE PCB .177 (4.5mm) TAIL LG.
61 - RIGHT ANGLE PCB .100 (2.54mm) TAIL LG.
62 - RIGHT ANGLE PCB .125 (3.2mm) TAIL LG.
65 - RIGHT ANGLE PCB .177 (4.5mm) TAIL LG. "UPSIDE DOWN"
66 - RIGHT ANGLE PCB .100 (2.54mm) TAIL LG. "UPSIDE DOWN"
67 - RIGHT ANGLE PCB .125 (3.2mm) TAIL LG. "UPSIDE DOWN"

LATCH OPTIONS:

2 - NO LATCH
3 - LATCHED (PLUG - HOOK) (VERTICAL ONLY)
(RECEPTACLE - WIRE LATCH)

HOUSING OPTIONS:

0 - METAL SHELL WITH BLUE INSULATOR
2 - METAL SHELL WITH BLACK INSULATOR

MOUNTING OPTIONS:

0 - NO MOUNTING OPTION (VERTICAL PLUG WITH LATCH ONLY)
1 - * .120 (3.05mm) DIA' HOLE / ** BOARDLOCK (RIGHT ANGLE ONLY)
2 - * #4-40 THREADED INSERT / ** .120 (3.05mm) DIA' HOLE (RIGHT ANGLE ONLY)
3 - * #4-40 THREADED INSERT / ** #4-40 THREADED INSERT
4 - * .120 (3.05mm) DIA' HOLE / ** .120 (3.05mm) DIA' HOLE
5 - * #4-40 THREADED INSERT / ** BOARDLOCK
7 - * .120 (3.05mm) DIA' HOLE / ** #4-40 THREADED INSERT (RIGHT ANGLE ONLY)
8 - * #4-40 HEX STANDOFF / ** BOARDLOCK (N/A WITH LATCH)
E - * #4-40 HEX STANDOFF / ** .120 (3.05mm) DIA' HOLE (RIGHT ANGLE ONLY)
F - * #4-40 HEX STANDOFF / ** #4-40 THREADED INSERT (N/A WITH LATCH)

(* PANEL SIDE / ** BOARD SIDE)

I - INTERNAL USE ONLY