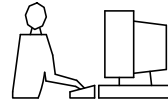


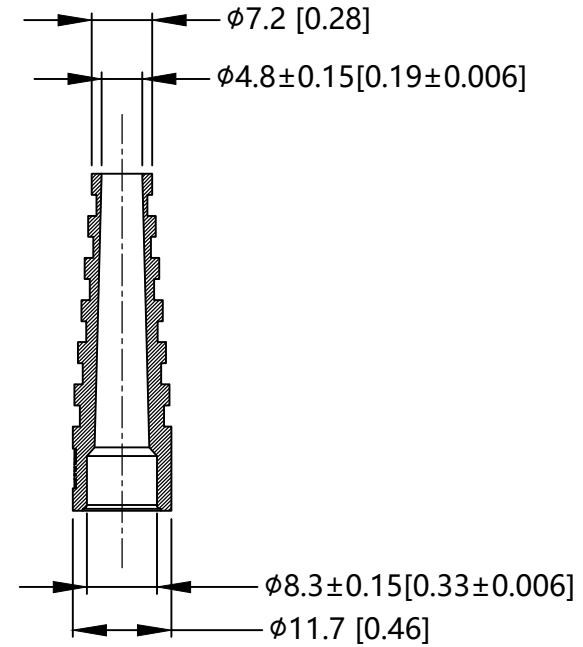
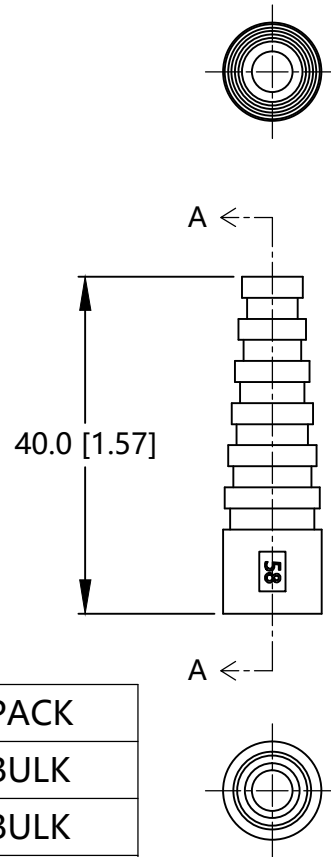
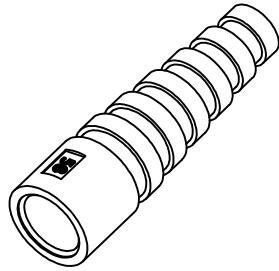
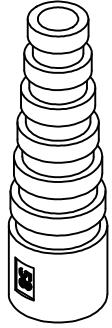
THIS IS A C.A.D. GENERATED DRAWING  
DO NOT MAKE MANUAL REVISIONS TO MASTER.



\* UNLESS OTHERWISE SPECIFIED TOLERANCES  
ON DECIMAL IS: ANGLE X.  
UNIT: MM/IN X.X

ISSUE NUMBER

ORIGINAL ①



SECTION A-A (1:1)

NOTES :

- 1.MATERIAL :TPU
- 2.DUROMETER: 75±5 A
- 3.DIMENSIONS:MM[INCHES]
- 4.TOLERANCE:±0.5[0.019]
- 5.USE CABLE TYPE RG58

| PART NUMBER | COLOR      | PACK |
|-------------|------------|------|
| RG58SRB-B   | BLUE       | BULK |
| RG58SRB-G   | GREEN      | BULK |
| RG58SRB-R   | RED        | BULK |
| RG58SRB-Y   | YELLOW     | BULK |
| RG58SRB-BK  | BLACK      | BULK |
| RG58SRB-LG  | LIGHT GREY | BULK |

THESE DRAWINGS AND SPECIFICATIONS ARE THE PROPERTY OF MH CONNECTORS AND SHALL NOT BE REPRODUCED, COPIED OR USED AS THE BASIS FOR THE MANUFACTURE OR SALE OF APPARATUS WITHOUT WRITTEN PERMISSION.

|                    |                    |
|--------------------|--------------------|
| DRAWN<br>Henry Pan | DATE<br>2023/03/03 |
|--------------------|--------------------|

|                        |                    |
|------------------------|--------------------|
| APPROVED<br>Victor Lin | DATE<br>2023/03/03 |
|------------------------|--------------------|

|              |                    |           |
|--------------|--------------------|-----------|
| SCALE<br>1:1 | SHEET OF<br>1 OF 1 | REV:<br>1 |
|--------------|--------------------|-----------|

|                       |
|-----------------------|
| DRAWING No<br>RG58SRB |
|-----------------------|



THIS SERIES FULLY CONFORMS TO THE EUROPEAN UNION DIRECTIVES 2015/863/EU AND 2011/65/EU FOR RoHS COMPLIANCY.



MH CONNECTORS ,  
DIVISION OF EDAC